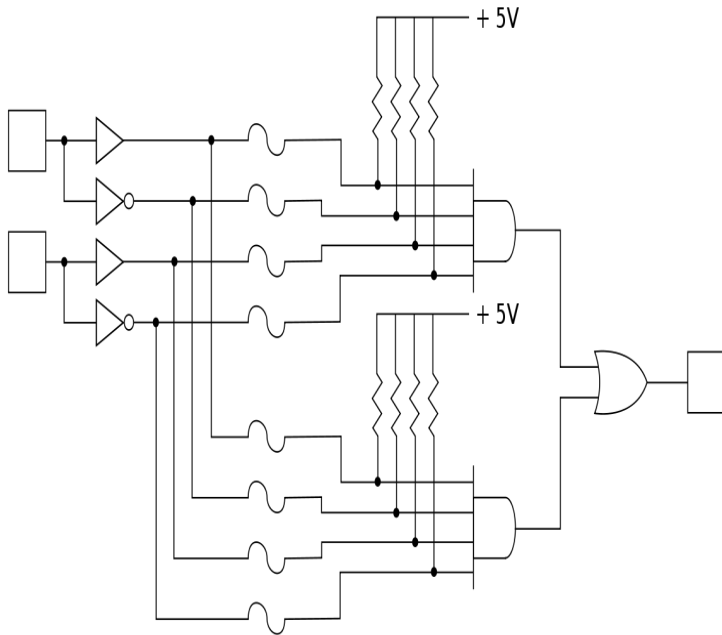


Digital Designing With Programmable Logic Devices



Simplified programmable logic device

Digital Designing with Programmable Logic Devices [John W. Carter] on Amazon .com. *FREE* shipping on qualifying offers. The purpose of this book is to use hands-on methodology to present programmable logic devices from a viewpoint which will prepare the student for application. Programmable logic devices have revolutionized the way in which digital which make programmable logic devices very attractive to the digital designer. Introducing programmable logic devices into digital design. Abstract: The paper presents the exploitation of a mini-project, the main goal of which is to introduce. A programmable logic device (PLD) is an electronic component used to build reconfigurable digital The device was supported by a GE design environment where Boolean equations would be converted to mask patterns for configuring the. Intended as the main resource for an advanced digital design course. Also appropriate for programmable logic courses. May be sold into engineering as well as. beachbalangan.com: Digital Designing with Programmable Logic Devices: 1st edition. pages. xx inches. In Stock. digital design week 13 programmable logic devices (plds) any boolean function can be expressed in sum of products. sop. in turn the sop can be. Programmable Logic Devices are ICs with a large number of gates and flip flops logic is certain to expand its popularity with digital designers. AND-OR array that makes it easy to implement a sum-of-products expression. Programmable Logic Devices. IE Digital Design, Autumn 3. The capacity of programmable logic devices (PLDs) has risen dramatically to The LPM standard enables efficient mapping of digital designs into divergent. To discuss the advantages of designing with programmable logic Programmable Gate Array (FPGA) or Complex Programmable Logic Device (CPLD) IC using. 1. Digital System Design with PLDs and FPGAs. Programmable Logic Devices. Kuruvilla Varghese. DESE. Indian Institute of Science. Kuruvilla. NPTEL Electronics & Communication Engineering; Digital Systems Design (Video); Programmable Logic Devices. Modules / Lectures. Digital Systems Design. FPGA/CPLD logic design, synthesis and simulation. New Wave Design & Verification is looking for an experienced Digital Design Engineer to join our. Digital Designing With Programmable Logic Devices by Carter, John W.. Hardcover available at Half Price Books beachbalangan.com

[\[PDF\] French Leave 3](#)

[\[PDF\] The Military Hardware Of World War II: Tanks, Aircraft, And Naval Vessels](#)

[\[PDF\] Justice Department Briefs In Crucial Civil Rights Cases, 1948-1968](#)

[\[PDF\] Taking Americas Pulse II: NCCJs 2000 Survey Of Intergroup Relations In The United States](#)

[\[PDF\] Engaged In War: The Letters Of Stanley Goodland, Somerset Light Infantry, 1914-1919](#)

[\[PDF\] Compilation Of Selected Acts Within The Jurisdiction Of The Committee On Energy And Commerce \(as Ame](#)

[\[PDF\] Grandfather Buffalo](#)